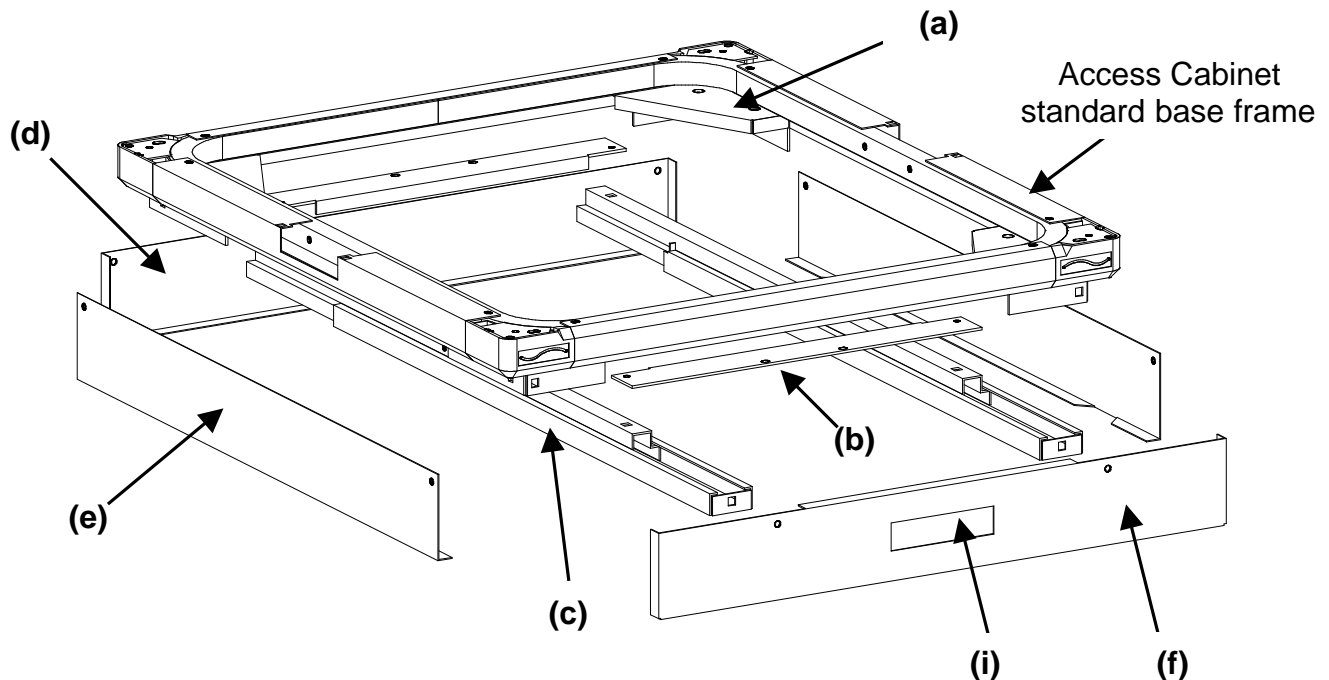


Access Cabinet Stabilising Plinth



The unit consist of:

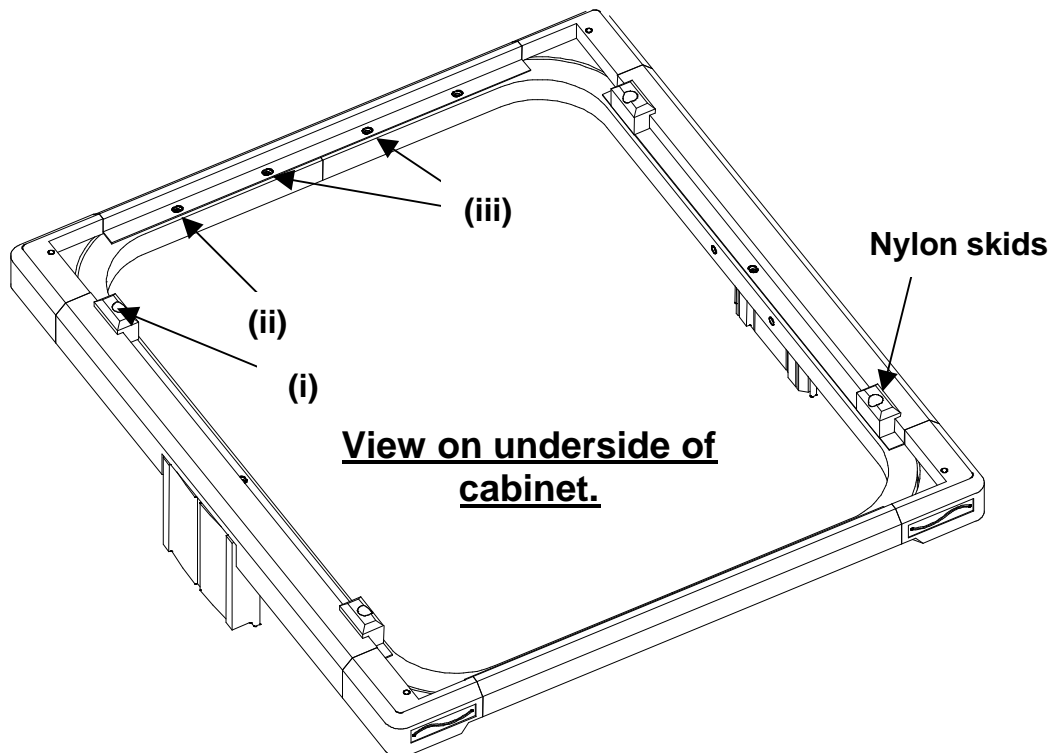
- (a)** 2 off Pairs of plinth plates (handed pairs) with jacking foot and castor facility (CBL ref. APP). *Please note that 6 off jacking feet (CBL Ref. AJF) are included in the stabilising plinth assembly but castors (CBL ref. ACK) have to be ordered separately as an optional extra.*
- (b)** 2 off Stabilising plinth mounting angles (CBL ref. SAMPMA6W or SAMPMA8W).
- (c)** 1 off Pair of handed stabilising plinth pull out rails and rail supports (CBL ref. SAMPRS6D or SAMPRS8D and SAMPPR6D or SAMPPR8D).
- (d)** 1 off Plinth rear kick plate (CBL ref. APKP6W or APKP8W).
- (e)** 2 off Plinth side kick plates (CBL ref. APKP6D or APKP8D).
- (f)** 1 off Stabilising plinth front kick plate (CBL ref. SAPKP6W or SAPKP8W).
- (g)** 2 off Jacking feet (CBL ref. AJF) fitted to the stabilising plinth pull out rails (c) (jacking feet are not shown in the above diagram).
- (h)** 1 off Fixing pack (CBL ref. Pack 48 - not shown).
- (i)** 1 off Pull handle (CBL ref. P2-52).

Access Cabinet Stabilising Plinth

Instructions for retro fitting onto a standard cabinet.

Step 1

The easiest way to fit the plinth assembly to the bottom of a standard cabinet is to remove the doors and side panels then tip the cabinet carefully onto its side. This allows you unhindered access to all the fixing screws.



Step 2

Starting in one corner of the cabinet unscrew the two screws **(i)** & **(ii)** and remove the nylon skid. Then screw the Plinth plates **(a)** into position using the same two screws. Repeat this process in all four corners.

Step 3

Fit the jacking feet or castors to the plinth plates **(a)** – One of these two options **must** be fitted to the stabilising plinth assembly.

Step 4

Remove the two screws **(iii)** and bolt the Stabilising plinth mounting angle **(b)** into position using the same two screws. Repeat this process at the on the opposing side of the cabinet.

Step 5

Screw the 2 off jacking feet into the Stabilising plinth pull out rails **(c)**.

Access Cabinet Stabilising Plinth

Step 6

Then screw fix through the stabilising plinth mounting angles **(b)** into the M6 cage nuts fitted in the stabilising plinth pull out rails and support rails **(c)** using an M6 x 12 socket cap screw. Please ensure that the tab on the stabilising plinth pull out rail is in the correct position as indicated on sheet 1.

Step 7

Next, screw the front kick plate **(f)** into the M6 cage nuts fitted into the end of the two Stabilising plinth pull out rails **(c)** using 2 off M6 x 12 socket cap screws.

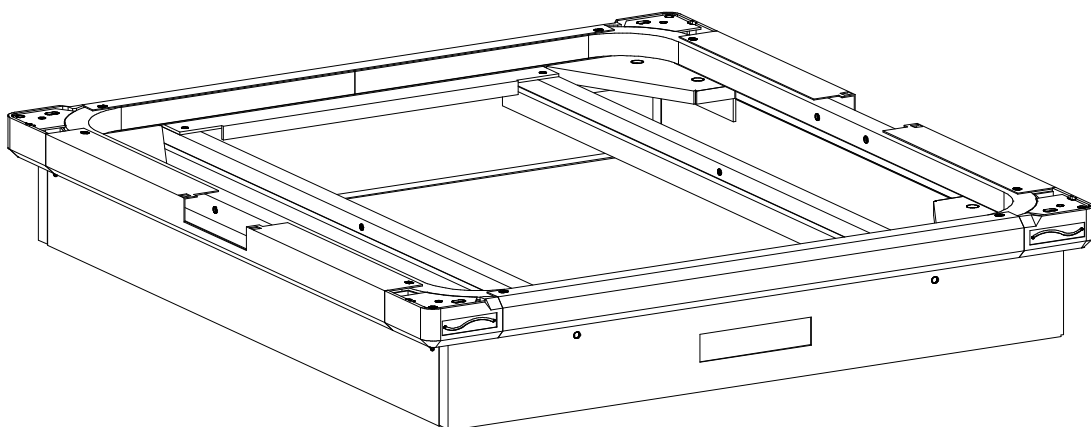
Step 8

Pull out the front of the stabilising plinth using the handle fitted in the front of the Front kick plate **(f)** then screw fix the plinth side kick plates **(e)** into the cage nuts fitted in the Plinth Plates **(a)** using M6 x 12 Socket Cap Screws.

Step 9

Finally screw fix the plinth rear kick plate **(d)** into the cage nuts fitted in the Plinth Plates **(a)** using M6 x 12 Socket Cap Screws and push the stabilising plinth section closed.

Fixing Pack Ref.48 - Contents Table.		
Item	Description	Qty
i	M6 x 12 Socket Cap Screws	14
ii	M6 x 2mm Cage Nuts	6
iii	M6 x 3mm Cage Nuts	8



View on the front of a stabilising plinth assembly (shown fitted to an Access cabinet bottom frame).