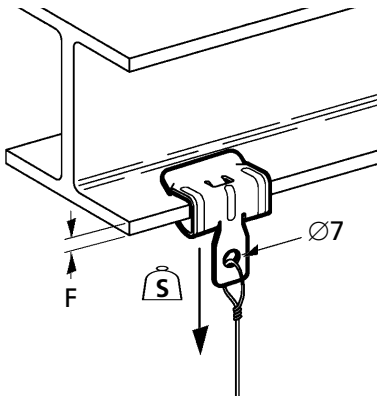
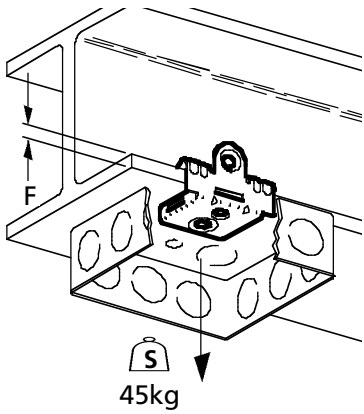


Girder/Purlin • Fixations Pour Poutres/Pannes • Flansch/Träger-Befestigung

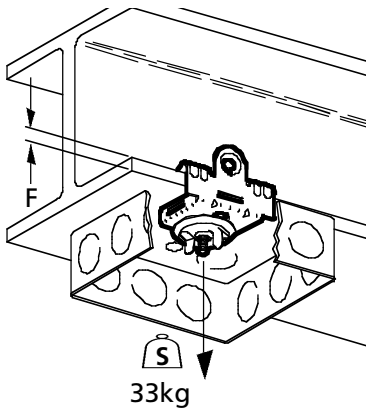
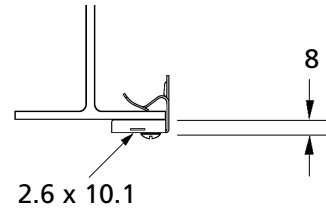
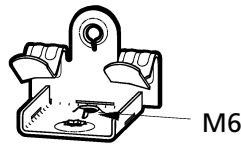
Girder/Purlin
Fixations Pour Poutres/Pannes
Flansch/Träger-Befestigung



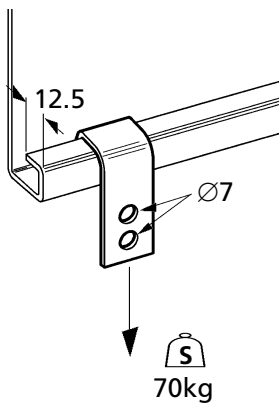
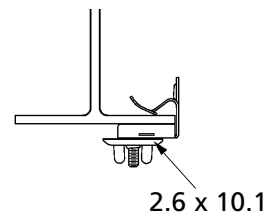
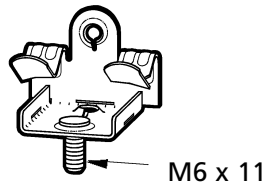
UPC/PART NO.	B-LINE NO.	F mm	S kg	M-ZINC
781011 03897	BE-1-2	2 - 3	70	25
781011 03898	BE-2-4	3 - 8	90	25
781011 03899	BE-5-8	8 - 14	90	25
781011 03901	BE-9-12	14 - 20	90	25



UPC/PART NO.	B-LINE NO.	F mm	M-ZINC
781011 03938	BU-2-4	3 - 8	25
781011 03939	BU-5-8	8 - 14	25
781011 03940	BU-9-12	14 - 20	25



UPC/PART NO.	B-LINE NO.	F mm	M-ZINC
781011 03941	BMU-2-4-S	3 - 8	25
781011 03942	BMU-5-8-S	8 - 14	25
781011 03943	BMU-9-12-S	14 - 20	25

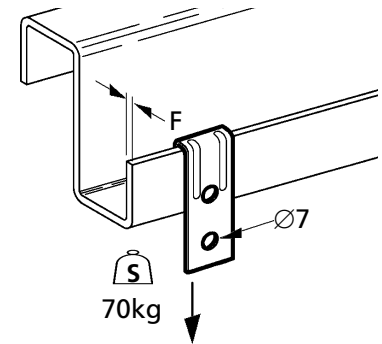


UPC/PART NO.	B-LINE NO.	M-ZINC
781011 04410	BF14	100

Girder/Purlin • Fixations Pour Poutres/Pannes • Flansch/Träger-Befestigung

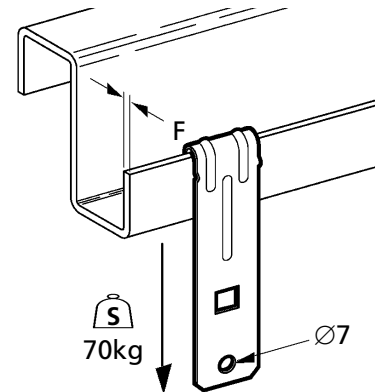
UPC/PART NO.	B-LINE NO.	F mm	M-ZINC
--------------	------------	------	--------

781011 03804	BF1	1,5 - 4,0	25
781011 03806	BF2	4,0 - 6,5	25



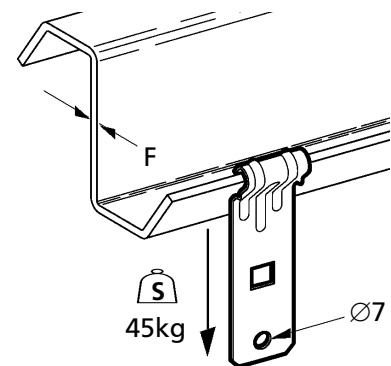
UPC/PART NO.	B-LINE NO.	F mm	M-ZINC
--------------	------------	------	--------

781011 04162	BF3	1,5 - 6,0	100
--------------	-----	-----------	-----



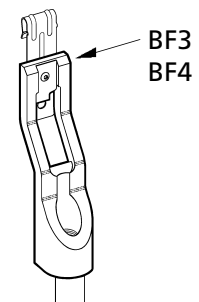
UPC/PART NO.	B-LINE NO.	F mm	M-ZINC
--------------	------------	------	--------

781011 04163	BF4	1,5 - 6,0	100
--------------	-----	-----------	-----



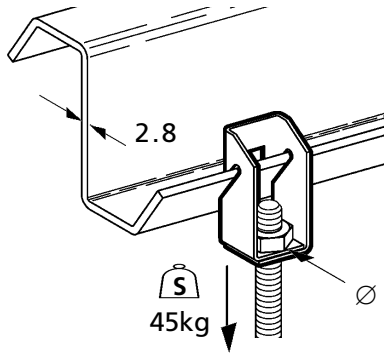
UPC/PART NO.	B-LINE NO.	M-ZINC
--------------	------------	--------

781011 04164	BT3	1
--------------	-----	---



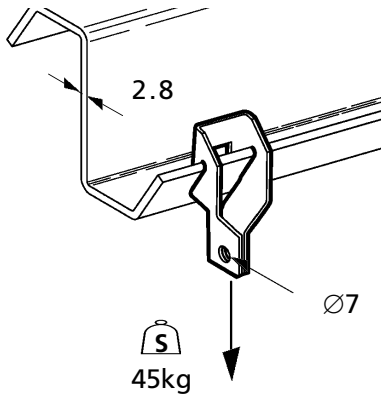
Girder/Purlin
Fixations Pour Poutres/Pannes
Flansch/Träger-Befestigung

Girder/Purlin • Fixations Pour Poutres/Pannes • Flansch/Träger-Befestigung



UPC/PART NO.	B-LINE NO.	Ø mm	M-ZINC
781011 03705	BF13	7	100

Girder/Purlin
Fixations Pour Poutres/Pannes
Flansch/Träger-Befestigung



UPC/PART NO.	B-LINE NO.	M-ZINC
781011 03713	BF12	100