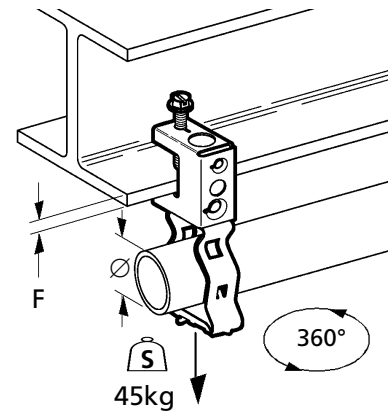
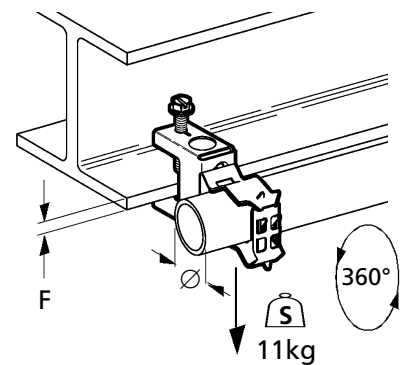


Conduit • Fixations Pour Conduits • Leitungsrohr-Befestigungen

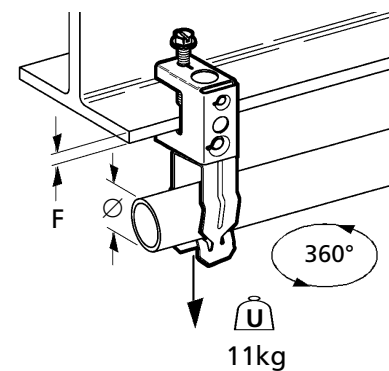
| UPC/PART NO. | B-LINE NO. | F mm | ∅ mm | M-ZINC |
|---------------------|-------------------|------|---------|--------|
| 781011 03641 | BG-8-12-C2 | 18 | 18 - 27 | 25 |
| 781011 03642 | BG-16-C2 | 18 | 27 - 35 | 25 |
| 781011 03643 | BG-20-C2 | 18 | 35 - 42 | 25 |
| 781011 03644 | BG-24-C2 | 18 | 42 - 50 | 25 |
| 781011 03645 | BG-32-C2 | 18 | 50 - 63 | 25 |



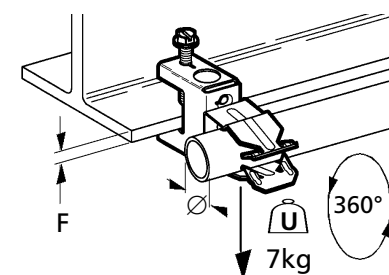
| UPC/PART NO. | B-LINE NO. | F mm | ∅ mm | M-ZINC |
|---------------------|-------------------|------|---------|--------|
| 781011 03646 | BG-8-12-C1 | 18 | 18 - 27 | 25 |
| 781011 03647 | BG-16-C1 | 18 | 27 - 35 | 25 |
| 781011 03648 | BG-20-C1 | 18 | 35 - 42 | 25 |
| 781011 03649 | BG-24-C1 | 18 | 42 - 50 | 25 |
| 781011 03651 | BG-32-C1 | 18 | 50 - 63 | 25 |



| UPC/PART NO. | B-LINE NO. | F mm | ∅ mm | M-ZINC |
|---------------------|-----------------|------|---------|--------|
| 781011 03652 | BP-8-C2 | 18 | 18 - 22 | 25 |
| 781011 03653 | BP-12-C2 | 18 | 22 - 30 | 25 |
| 781011 03655 | BP-16-C2 | 18 | 30 - 35 | 25 |

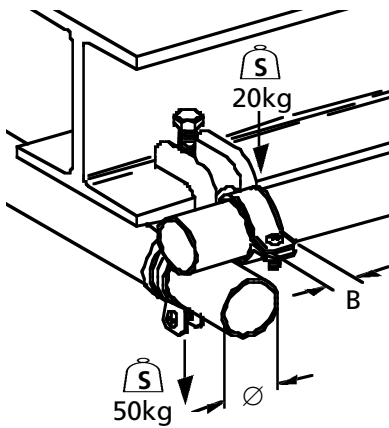


| UPC/PART NO. | B-LINE NO. | F mm | ∅ mm | M-ZINC |
|---------------------|-----------------|------|---------|--------|
| 781011 03656 | BP-8-C1 | 18 | 18 - 22 | 25 |
| 781011 03657 | BP-12-C1 | 18 | 22 - 30 | 25 |
| 781011 03659 | BP-16-C1 | 18 | 30 - 35 | 25 |



Conduit
Fixations Pour Conduits
Leitungsrohr-Befestigungen

Conduit • Fixations Pour Conduits • Leitungsrohr-Befestigungen

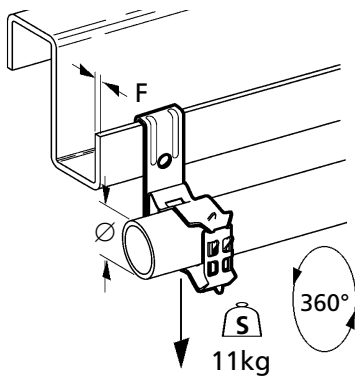


| UPC/PART NO. | B-LINE NO. | B mm | ∅ mm | H-ZINC |
|---------------------|------------|------|---------|--------|
| 781011 04546 | BCC17 | 14 | 16 - 20 | 20 |
| 781011 04547 | BCC21 | 14 | 20 - 25 | 20 |
| 781011 04549 | BCC28 | 18 | 30 - 35 | 20 |
| 781011 04550 | BCC37 | 21 | 34 - 36 | 20 |
| 781011 04551 | BCC42 | 22 | 37 - 43 | 20 |
| 781011 04553 | BCC48 | 21 | 48 - 53 | 20 |
| 781011 04554 | BCC60 | 21 | 57 - 63 | 20 |

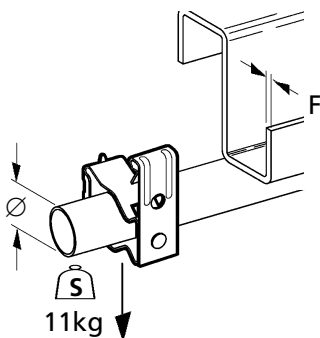
| UPC/PART NO. | B-LINE NO. | B mm | ∅ mm | SS4 |
|---------------------|------------|------|---------|-----|
| 781011 04555 | BCC17-SS4 | 14 | 16 - 20 | 20 |
| 781011 04557 | BCC21-SS4 | 14 | 20 - 25 | 20 |
| 781011 04558 | BCC28-SS4 | 18 | 30 - 35 | 20 |
| 781011 04559 | BCC37-SS4 | 21 | 34 - 38 | 20 |
| 781011 04561 | BCC42-SS4 | 22 | 37 - 43 | 20 |
| 781011 04562 | BCC48-SS4 | 21 | 48 - 53 | 20 |
| 781011 04563 | BCC60-SS4 | 21 | 57 - 63 | 20 |

■ SS4 = AISI Type 304 Stainless Steel

Conduit
 Fixations Pour Conduits
 Leitungsrohr-Befestigungen



| UPC/PART NO. | B-LINE NO. | F mm | ∅ mm | M-ZINC |
|---------------------|------------|-----------|---------|--------|
| 781011 03832 | BG-6-F1 | 1,5 - 4,0 | 14 - 18 | 25 |
| 781011 88585 | BG-6-F2 | 4,0 - 6,5 | 14 - 18 | 25 |
| 781011 03834 | BG-8-12-F1 | 1,5 - 4,0 | 18 - 27 | 25 |
| 781011 03836 | BG-8-12-F2 | 4,0 - 6,5 | 18 - 27 | 25 |
| 781011 03837 | BG-16-F1 | 1,5 - 4,0 | 27 - 35 | 25 |
| 781011 03838 | BG-16-F2 | 4,0 - 6,5 | 27 - 35 | 25 |



| UPC/PART NO. | B-LINE NO. | F mm | ∅ mm | M-ZINC |
|---------------------|--------------|-----------|---------|--------|
| 781011 03839 | BG-6-F1-R | 1,5 - 4,0 | 14 - 18 | 25 |
| 781011 03841 | BG-8-12-F1-R | 1,5 - 4,0 | 18 - 27 | 25 |
| 781011 03842 | BG-16-F1-R | 1,5 - 4,0 | 27 - 35 | 25 |