
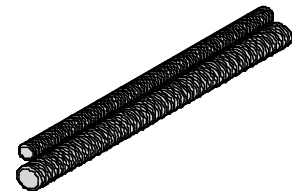

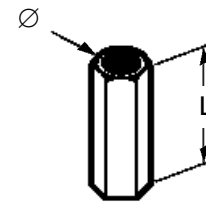



Miscellaneous • Fixations Diverses • Befestigungszubehör

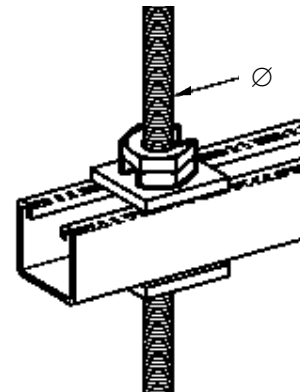
UPC/PART NO.	B-LINE NO.	Ø x L	
782051 30687	BRT-06-100	M6 x 1M	10
782051 30688	BRT-08-100	M8 x 1M	10
782051 30689	BRT-10-100	M10 x 1M	10



UPC/PART NO.	B-LINE NO.	Ø x L	
781011 03431	BCN-6	M6 x 18mm	100
781011 03432	BCN-8	M8 x 24mm	100
781011 03433	BCN-10	M10 x 30mm	100

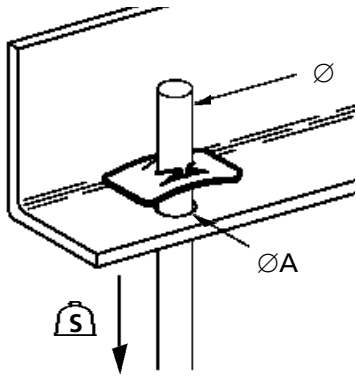


UPC/PART NO.	B-LINE NO.	Ø mm	
781011 03425	BSLN-6	M6	100
781011 03426	BSLN-8	M8	100
781011 03427	BSLN-10	M10	100
781011 04172	BSLN-12	M12	25
781011 04173	BSLN-16	M16	25

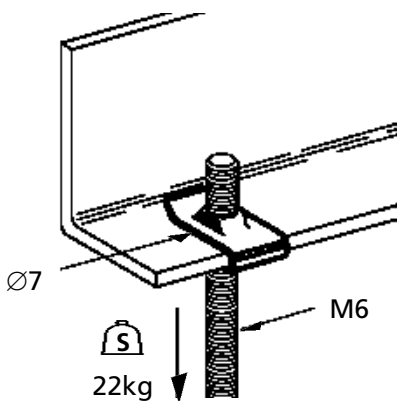


Miscellaneous
Fixations Diverses
Befestigungszubehör

Miscellaneous • Fixations Diverses • Befestigungszubehör

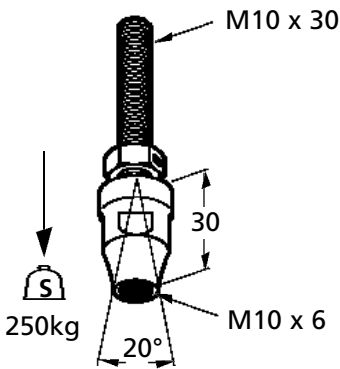


UPC/PART NO.	B-LINE NO.	Ø mm	ØA mm	S kg	M-ZINC
781011 04104	BMN-4	4	9,5	45	100
781011 03877	BMN-6	6	9,5	45	100
781011 03878	BMN-8	8	9,5	45	100
781011 03879	BMN-10	10	12,7	90	100

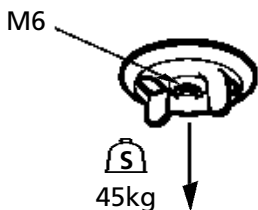


UPC/PART NO.	B-LINE NO.	M-ZINC
781011 03881	BN1	100

Miscellaneous
 Fixations Diverses
 Befestigungszubehör



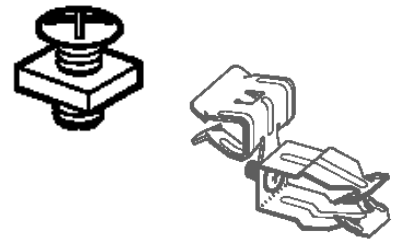
UPC/PART NO.	B-LINE NO.	E-ZINC
781011 04445	BSC-10	50



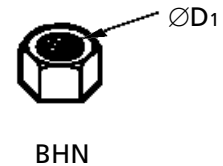
UPC/PART NO.	B-LINE NO.	M-ZINC
781011 03882	BA-4-WN	100

Miscellaneous • Fixations Diverses • Befestigungszubehör

UPC/PART NO.	B-LINE NO.	Ø x L	E-ZINC
781011 03440	BNB-6	M6 x 12mm	100
781011 04456	BNB-6-8	M6 x 8mm	100



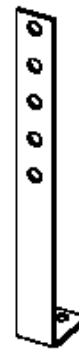
UPC/PART NO.	B-LINE NO.	ØD1	ØD2 mm	E-ZINC
781011 03437	BHN-6	M6	500	
781011 03438	BHN-8	M8	500	
781011 03439	BHN-10	M10	500	



UPC/PART NO.	B-LINE NO.	ØD1	ØD2 mm	E-ZINC
781011 03434	BPW-6	7mm	25	500
781011 03435	BPW-8	9mm	25	500
781011 03436	BPW-10	11mm	25	500



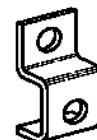
UPC/PART NO.	B-LINE NO.	DESCRIPTION	E-ZINC
781011 01449	BA28B	Angle Bracket E-Zinc	50



UPC/PART NO.	B-LINE NO.	DESCRIPTION	E-ZINC
782051 30691	BD2	Flat Bracket M-Zinc	100



UPC/PART NO.	B-LINE NO.	DESCRIPTION	E-ZINC
782051 30692	BD4	Offset Bracket M-Zinc	100



Miscellaneous
Fixations Diverses
Befestigungszubehör