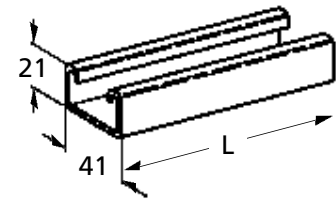
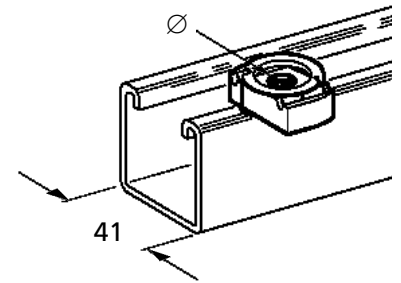


Miscellaneous • Fixations Diverses • Befestigungszubehör

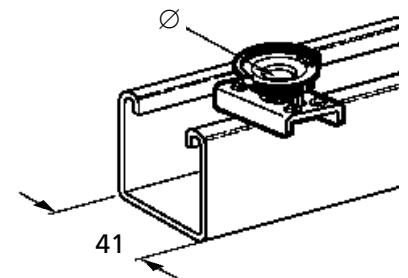
UPC/PART NO.	B-LINE NO.	L mm	ALUM
781011 04457	B54AL-6	152	6
781011 83589	B54AL-12	305	6



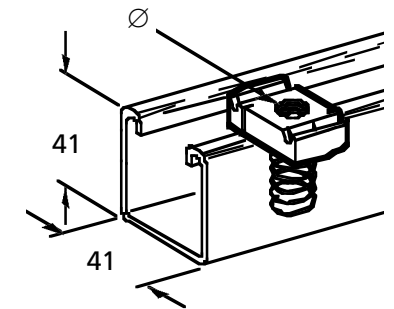
UPC/PART NO.	B-LINE NO.	Ø mm	E-ZINC
781011 19994	BMT-6	M6	100
781011 19995	BMT-8	M8	100
781011 19996	BMT-10	M10	100
781011 19997	BMT-12	M12	100



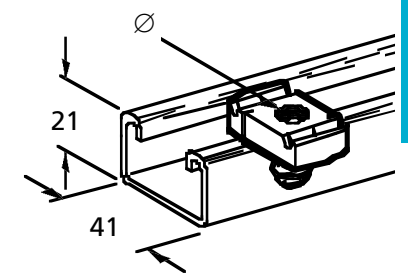
UPC/PART NO.	B-LINE NO.	Ø mm	E-ZINC
781011 03422	BFN-6	M6	100
781011 03423	BFN-8	M8	100
781011 03424	BFN-10	M10	100



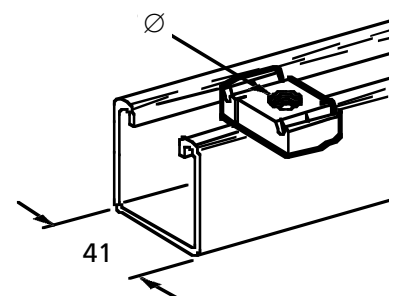
UPC/PART NO.	B-LINE NO.	Ø mm	E-ZINC
781011 84920	BMS-6M	M6	100
781011 84918	BMS-8M	M8	100
781011 01252	BMS-10M	M10	100
782051 11767	BMS-12M	M12	100



UPC/PART NO.	B-LINE NO.	Ø mm	E-ZINC
781011 84922	BMS-6S	M6	100
781011 84924	BMS-8S	M8	100
782051 11774	BMS-10S	M10	100
782051 11778	BMS-12S	M12	100

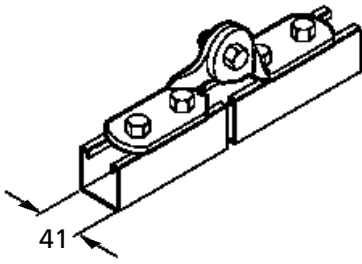


UPC/PART NO.	B-LINE NO.	Ø mm	E-ZINC
781011 84926	BMS-6	M6	100
781011 92234	BMS-8	M8	100
781011 94483	BMS-10	M10	100
782051 11771	BMS-12	M12	100



Miscellaneous
Fixations Diverses
Befestigungszubehör

Miscellaneous • Fixations Diverses • Befestigungszubehör



UPC/PART
NO.

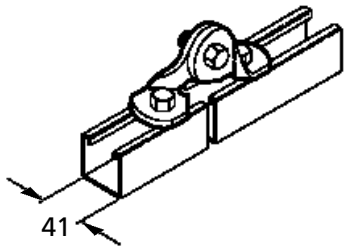
B-LINE
NO.



781011 04573

B335

10



UPC/PART
NO.

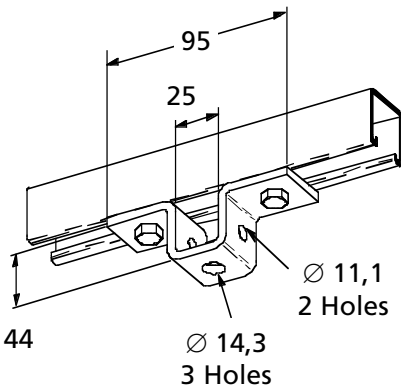
B-LINE
NO.



781011 04574

B335-1

10



UPC/PART
NO.

B-LINE
NO.



781011 50113

B107S

25

Miscellaneous
Fixations Diverses
Befestigungszubehör

UPC/PART
NO.

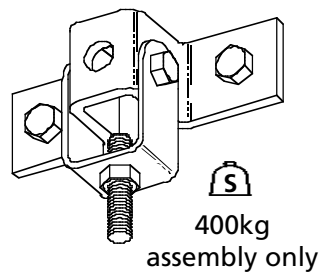
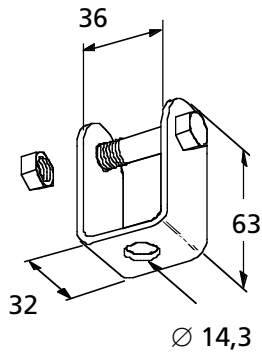
B-LINE
NO.



781011 56013

B593

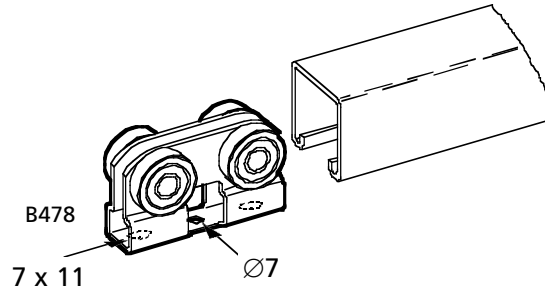
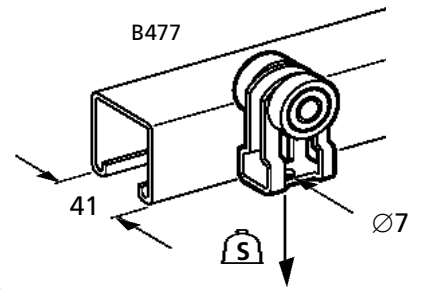
25



Miscellaneous • Fixations Diverses • Befestigungszubehör

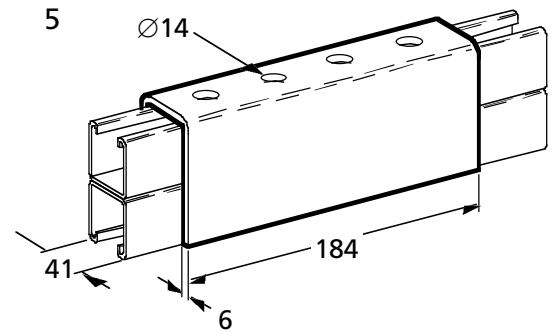
UPC/PART NO.	B-LINE NO.	 kg	
--------------	------------	--	---

781011 04570	B477	22	2
781011 04571	B478	45	2



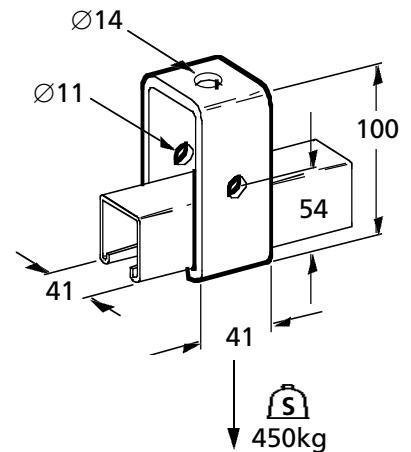
UPC/PART NO.	B-LINE NO.	
--------------	------------	---

781011 51599	B172-22A
---------------------	-----------------



UPC/PART NO.	B-LINE NO.	
--------------	------------	---

781011 53333	B349	25
---------------------	-------------	----



■ Requires M10 x 64 Bolt and M10 Nut (Not Included)

Miscellaneous
Fixations Diverses
Befestigungszubehör