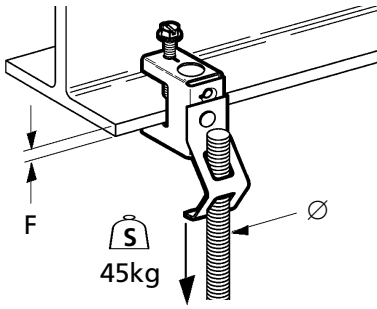
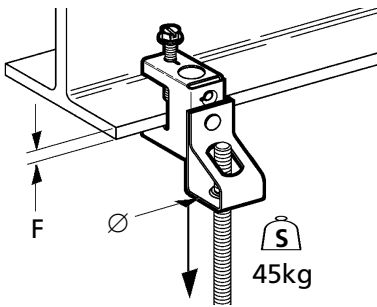


# Rod • Fixations Pour Barres • Stangen-Befestigungen

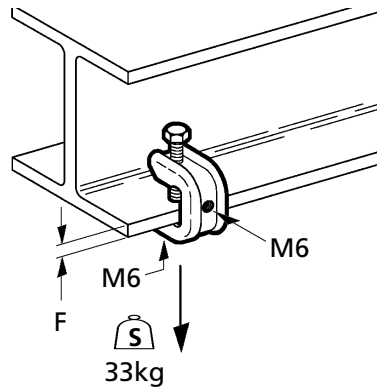


UPC/PART NO.	B-LINE NO.	F mm	Ø	M-ZINC
<b>781011 88582</b>	<b>BMH1-C2</b>	18	M4 & M5	25
<b>781011 03699</b>	<b>BH1-C2</b>	18	M4 & M6	25
<b>781011 03700</b>	<b>BH14-C2</b>	18	M8	25
<b>781011 03701</b>	<b>BH2-C2</b>	18	M10	25

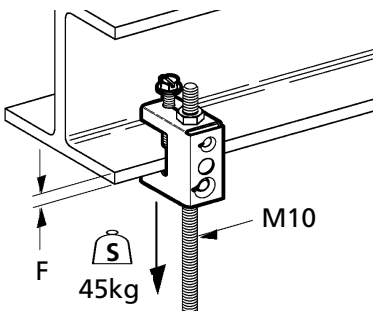


UPC/PART NO.	B-LINE NO.	F mm	Ø	M-ZINC
<b>781011 03702</b>	<b>BH4-C2</b>	18	M6	25
<b>781011 03703</b>	<b>BMH8-C2</b>	18	M8	25
<b>781011 03704</b>	<b>BMH10-C2</b>	18	M10	25

Rod  
Fixations Pour Barres  
Stangen-Befestigungen



UPC/PART NO.	B-LINE NO.	F mm	E-ZINC
<b>781011 03408</b>	<b>BMC442</b>	3 - 16	25

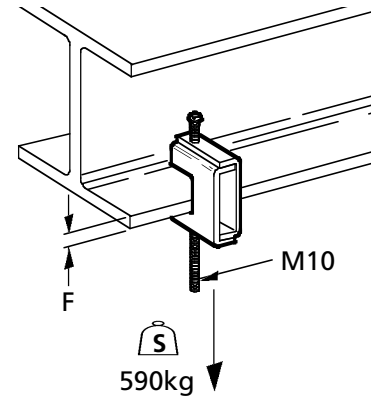


UPC/PART NO.	B-LINE NO.	F mm	M-ZINC
<b>781011 03640</b>	<b>BC1</b>	18	25

# Rod • Fixations Pour Barres • Stangen-Befestigungen

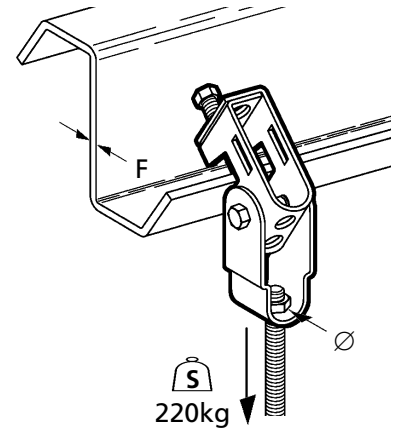
UPC/PART NO.	B-LINE NO.	F mm	E-ZINC
--------------	------------	------	--------

<b>781011 95574</b>	<b>B321-M10</b>	43	20
---------------------	-----------------	----	----



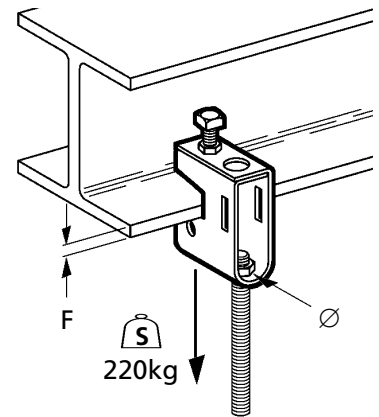
UPC/PART NO.	B-LINE NO.	F mm	∅ mm	E-ZINC
--------------	------------	------	------	--------

<b>781011 19940</b>	<b>B751-M10</b>	19	11	20
---------------------	-----------------	----	----	----



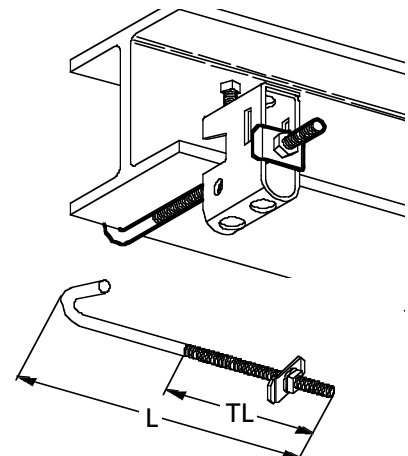
UPC/PART NO.	B-LINE NO.	F mm	∅ mm	E-ZINC
--------------	------------	------	------	--------

<b>781011 03409</b>	<b>B751-M10-WO</b>	19	11	20
---------------------	--------------------	----	----	----



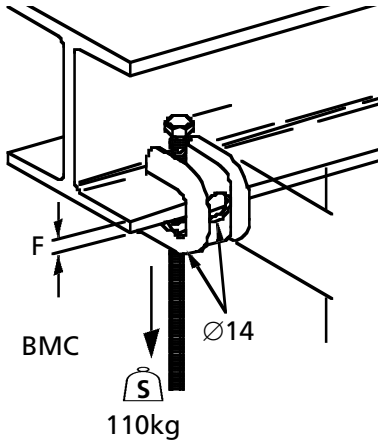
UPC/PART NO.	B-LINE NO.	L mm	TL mm	E-ZINC
--------------	------------	------	-------	--------

<b>781011 57353</b>	<b>B701-J4-3/8</b>	222	139	100
<b>781011 57363</b>	<b>B701-J6-3/8</b>	298	165	40
<b>781011 57368</b>	<b>B701-J9-3/8</b>	374	165	40
<b>781011 57673</b>	<b>B701-J12-3/8</b>	450	165	40



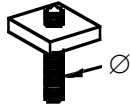
Rod  
Fixations Pour Barres  
Stangen-Befestigungen

# Rod • Fixations Pour Barres • Stangen-Befestigungen



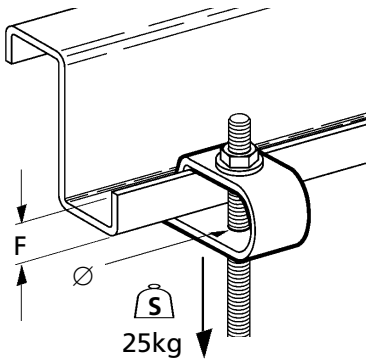
UPC/PART NO.	B-LINE NO.	F mm	Box
781011 04535	BMC24	24	H-ZINC 20
781011 04536	BMC32	32	H-ZINC 20
781011 04537	BMC46	46	H-ZINC 20
UPC/PART NO.	B-LINE NO.	F mm	Box
781011 04538	BMC24-SS4	24	SS4 20
781011 04539	BMC32-SS4	32	SS4 20
781011 04541	BMC46-SS4	46	SS4 20

Rod  
Fixations Pour Barres  
Stangen-Befestigungen

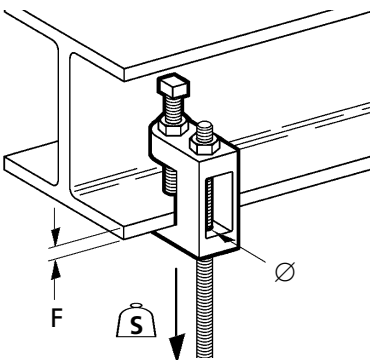


BNC

UPC/PART NO.	B-LINE NO.	Ø mm	Box
781011 04542	BNC06	M6	H-ZINC 20
781011 04543	BNC08	M8	H-ZINC 20
781011 04545	BNC10	M10	H-ZINC 20



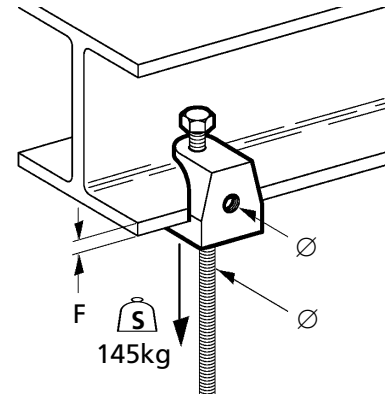
UPC/PART NO.	B-LINE NO.	F mm	Ø mm	Box
781011 01721	BH21	25	11	E-ZINC 100



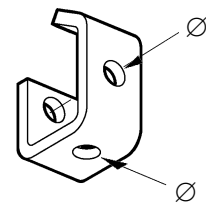
UPC/PART NO.	B-LINE NO.	F mm	Ø mm	Weight kg	Box
781011 97320	BC08	18	9	120	E-ZINC 50
781011 19938	BC10	19	11	240	E-ZINC 50
781011 19939	BC12	23	13	340	E-ZINC 50
782051 30655	BMC-06	18	M6	100	E-ZINC 50
781011 97322	BMC-08	18	M8	120	E-ZINC 50
781011 97321	BMC-10	19	M10	240	E-ZINC 50
781011 97253	BMC-12	23	M12	340	E-ZINC 50

# Rod • Fixations Pour Barres • Stangen-Befestigungen

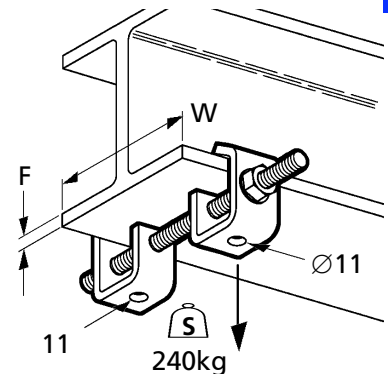
UPC/PART NO.	B-LINE NO.	F mm	Ø	E-ZINC
<b>781011 19944</b>	<b>B444-M6</b>	13	M6	50
<b>781011 19945</b>	<b>B444-M8</b>	13	M8	50
<b>781011 19946</b>	<b>B444-M10</b>	13	M10	50



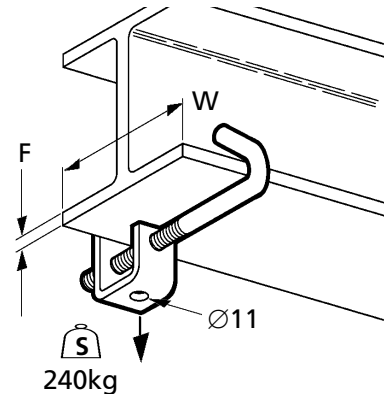
UPC/PART NO.	B-LINE NO.	Ø mm	E-ZINC
<b>781011 03410</b>	<b>BBC1</b>	11	100



UPC/PART NO.	B-LINE NO.	W mm	F mm	E-ZINC
<b>781011 03411</b>	<b>BBC1-175</b>	175	13	25
<b>781011 03412</b>	<b>BBC1-275</b>	275	13	25
<b>781011 03413</b>	<b>BBC1-375</b>	375	13	25



UPC/PART NO.	B-LINE NO.	W mm	F mm	E-ZINC
<b>781011 03414</b>	<b>BBC1-J125</b>	125	13	25
<b>781011 03415</b>	<b>BBC1-J175</b>	175	13	25
<b>781011 03416</b>	<b>BBC1-J225</b>	225	13	25
<b>781011 03417</b>	<b>BBC1-J275</b>	275	13	25



Rod  
Fixations Pour Barres  
Stangen-Befestigungen