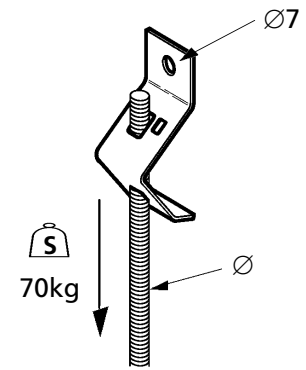


Rod • Fixations Pour Barres • Stangen-Befestigungen

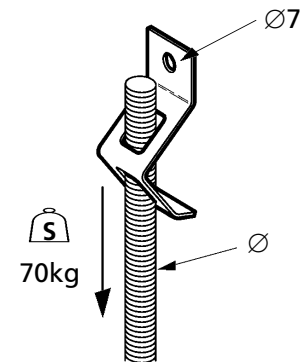
UPC/PART NO.	B-LINE NO.	Ø	M-ZINC
--------------	------------	---	--------

781011 04176	BMH1	M4 & M5	100
781011 03863	BH1	M4 & M6	100



UPC/PART NO.	B-LINE NO.	Ø	M-ZINC
--------------	------------	---	--------

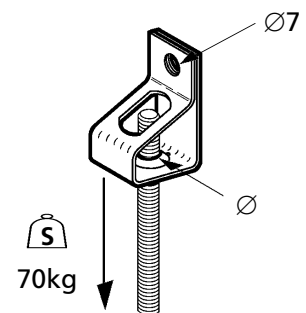
781011 03864	BH14	M8	100
781011 03865	BH2	M10	100



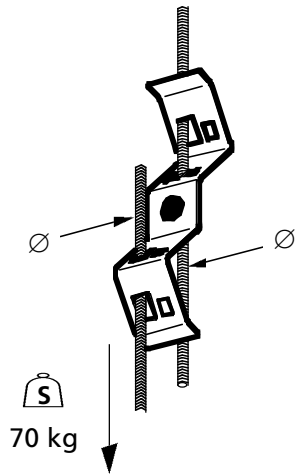
Rod
Fixations Pour Barres
Stangen-Befestigungen

UPC/PART NO.	B-LINE NO.	Ø	M-ZINC
--------------	------------	---	--------

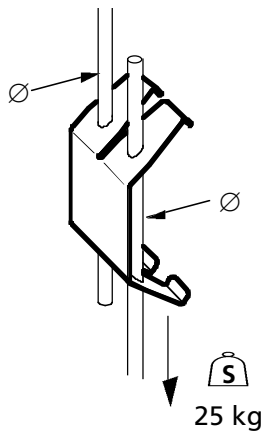
781011 03866	BH4	M6	100
781011 03867	BMH8	M8	100
781011 03868	BMH10	M10	100
781011 03869	BH5	11mm	100
781011 03871	BH13	13mm	100



Rod • Fixations Pour Barres • Stangen-Befestigungen



UPC/PART NO.	B-LINE NO.	Ø	M-ZINC
781011 94462	BMH1-MH1	M4 & M5	100
781011 94459	BH1-H1	M4 & M6	100
781011 94460	BH14-H14	M8	100
781011 94461	BH2-H2	M10	100



UPC/PART NO.	B-LINE NO.	Ø	M-ZINC
781011 04521	BH23	4	100

Rod
 Fixations Pour Barres
 Stangen-Befestigungen