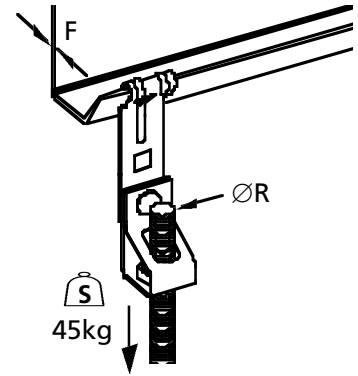


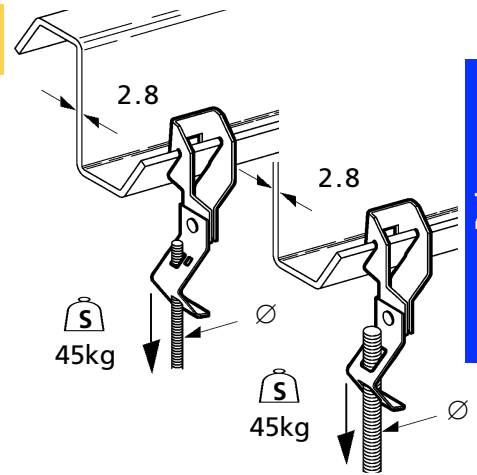
# Rod • Fixations Pour Barres • Stangen-Befestigungen

UPC/PART NO.	B-LINE NO.	ØR mm	F mm	M-ZINC
<b>781011 88486</b>	BH5-F4	M6 - M8	1,5 - 6,0	25



\* Hole not threaded, requires hex nut.

UPC/PART NO.	B-LINE NO.	Ø	M-ZINC
<b>781011 04177</b>	BMH1-F12	M4 & M5	25
<b>781011 03714</b>	BH1-F12	M4 & M6	25
<b>781011 03715</b>	BH14-F12	M8	25
<b>781011 03716</b>	BH2-F12	M10	25



UPC/PART NO.	B-LINE NO.	Ø	M-ZINC
<b>781011 03717</b>	BH4-F12	M6	25
<b>781011 03718</b>	BMH8-F12	M8	25
<b>781011 03719</b>	BMH10-F12	M10	25
<b>781011 03802</b>	BH5-F12	11mm	25
<b>781011 03803</b>	BH13-F12	13mm	25

