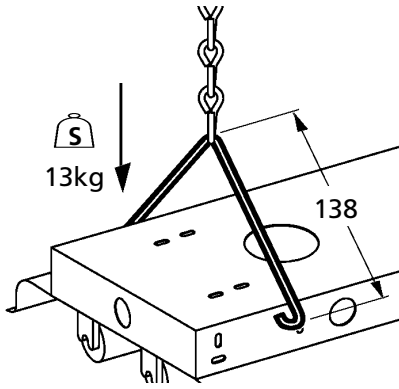
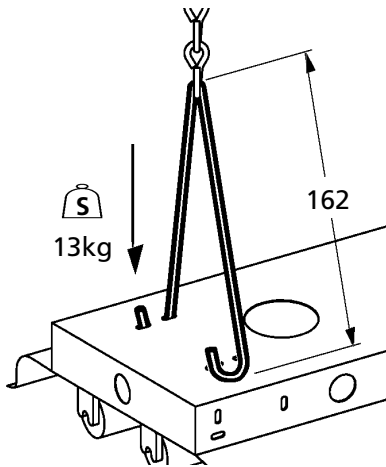


# Suspension • Fixations De Suspension • Band-/Seil-Befestigungen



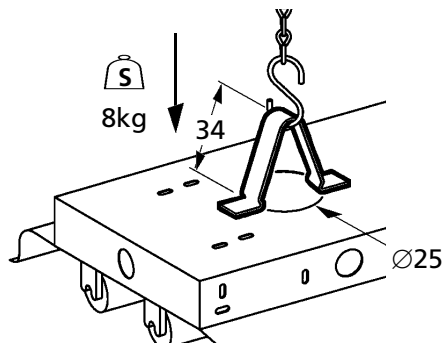
UPC/PART NO.	B-LINE NO.	P-ZINC
--------------	------------	--------

**781011 01236**    **BH15**    100



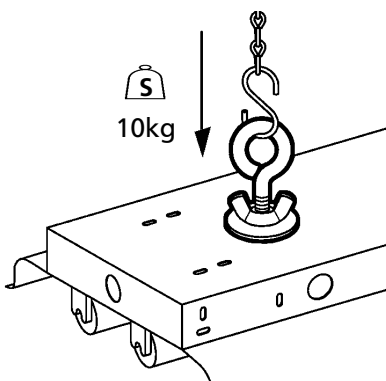
UPC/PART NO.	B-LINE NO.	P-ZINC
--------------	------------	--------

**781011 01237**    **BH16**    100



UPC/PART NO.	B-LINE NO.	E-ZINC
--------------	------------	--------

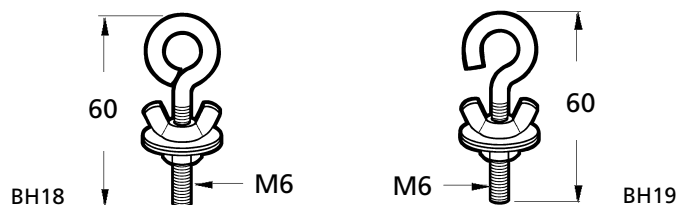
**781011 03419**    **BH17**    100



UPC/PART NO.	B-LINE NO.	E-ZINC
--------------	------------	--------

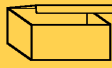
**781011 03420**    **BH18**    100

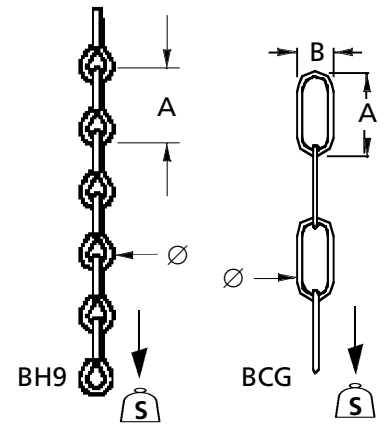
**781011 03421**    **BH19**    100




Suspension  
Fixations De Suspension  
Band-/Seil-Befestigungen

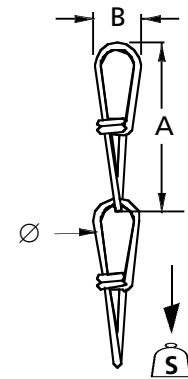
# Suspension • Fixations De Suspension • Band-/Seil-Befestigungen

UPC/PART NO.	B-LINE NO.	A mm	B mm	∅ mm	S kg	
<b>781011 18850</b>	<b>BH9</b>	24		2,8	13	30m/P-ZINC
<b>781011 04522</b>	<b>BCG27</b>	24	10	2,5	55	30m/P-ZINC
<b>781011 04523</b>	<b>BCG32</b>	26	12	3,0	115	30m/P-ZINC
<b>781011 04525</b>	<b>BCG32-SS4</b>	26	12	3,0	115	30m/SS4

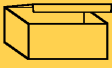


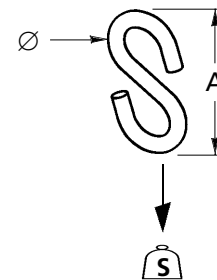
■ SS4 = AISI Type 304 Stainless Steel

UPC/PART NO.	B-LINE NO.	A mm	B mm	∅ mm	S kg	
<b>781011 04565</b>	<b>BCK22</b>	28	9	2,0	35	30m
<b>781011 04526</b>	<b>BCK27</b>	35	11	2,5	65	30m
<b>781011 04527</b>	<b>BCK32</b>	41	14	3,1	95	25m




Suspension  
Fixations De Suspension  
Band-/Seil-Befestigungen

UPC/PART NO.	B-LINE NO.	A mm	∅ mm	S kg	
<b>781011 18855</b>	<b>BH10</b>	32	3,0	13	100/P-ZINC
<b>781011 04529</b>	<b>BCS40</b>	30	3,5	25	50/P-ZINC
<b>781011 04566</b>	<b>BCS50</b>	45	5,0	40	50/P-ZINC
<b>781011 04530</b>	<b>BCS50-SS4</b>	45	5,0	40	50/SS4



■ SS4 = AISI Type 304 Stainless Steel

UPC/PART NO.	B-LINE NO.	A mm	B mm	∅ mm	S kg	
<b>781011 04531</b>	<b>BCL30</b>	16,5	6,5	3,0	35	50
<b>781011 04533</b>	<b>BCL40</b>	20,0	8,0	4,0	55	50
<b>781011 04534</b>	<b>BCL50</b>	23,0	9,5	5,0	95	50

