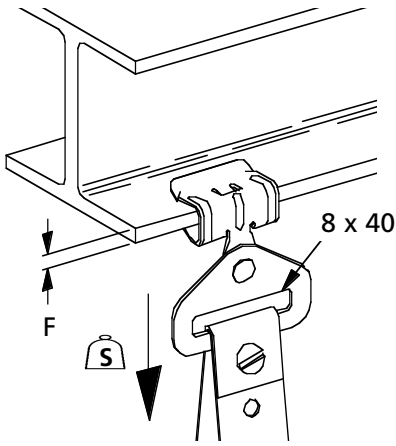
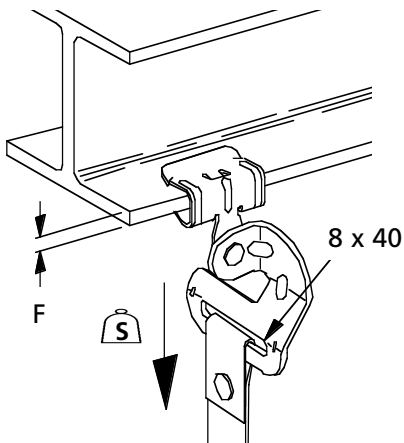


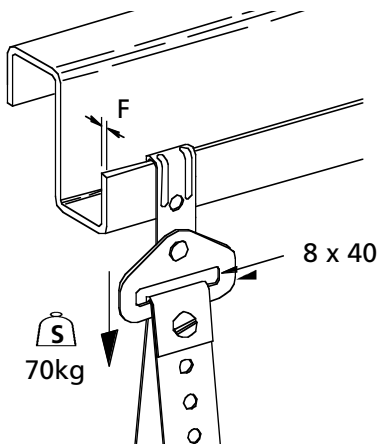
# Suspension • Fixations De Suspension • Band-/Seil-Befestigungen



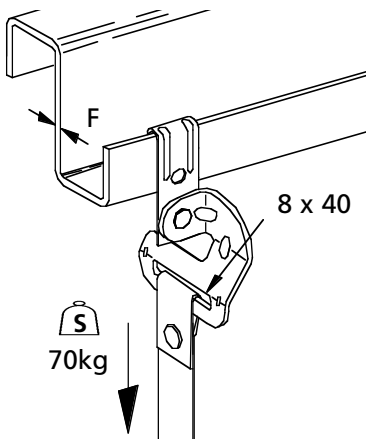
UPC/PART NO.	B-LINE NO.	F mm	S kg	P-ZINC
<b>781011 04143</b>	<b>BH-E-1-2</b>	2 - 3	70	25
<b>781011 03663</b>	<b>BH-2-4</b>	3 - 8	90	25
<b>781011 03664</b>	<b>BH-5-8</b>	8 - 14	90	25
<b>781011 03665</b>	<b>BH-9-12</b>	14 - 20	90	25



UPC/PART NO.	B-LINE NO.	F mm	S kg	P-ZINC
<b>781011 04144</b>	<b>BH-1-2-R</b>	2 - 3	70	25
<b>781011 03667</b>	<b>BH-2-4-R</b>	3 - 8	90	25
<b>781011 03668</b>	<b>BH-5-8-R</b>	8 - 14	90	25
<b>781011 03669</b>	<b>BH-9-12-R</b>	14 - 20	90	25



UPC/PART NO.	B-LINE NO.	F mm	M-ZINC
<b>781011 88579</b>	<b>BH-F1</b>	1,5 - 4,0	25
<b>781011 88580</b>	<b>BH-F2</b>	4,0 - 6,5	25



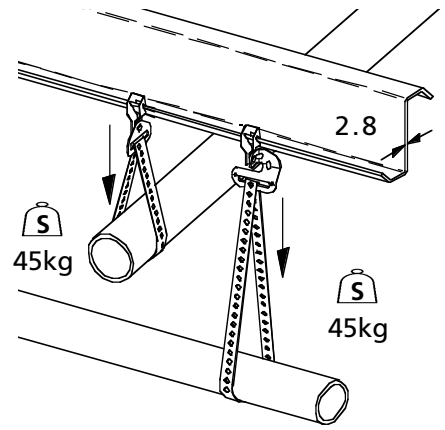
UPC/PART NO.	B-LINE NO.	F mm	M-ZINC
<b>781011 88577</b>	<b>BRH-F1</b>	1,5 - 4,0	25
<b>781011 88578</b>	<b>BRH-F2</b>	4,0 - 6,5	25

Suspension  
Fixations De Suspension  
Band-/Seil-Befestigungen

# Suspension • Fixations De Suspension • Band-/Seil-Befestigungen

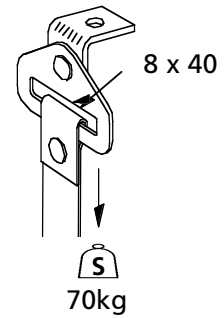
UPC/PART NO.	B-LINE NO.	DESCRIPTION	M-ZINC
--------------	------------	-------------	--------

782051 30656	BH-F12	Right Angle	25
782051 30658	BH-F12R	Parallel	25



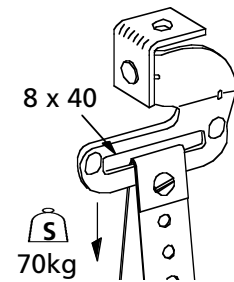
UPC/PART NO.	B-LINE NO.	P-ZINC
--------------	------------	--------

781011 03853	BH-H7	25
--------------	-------	----



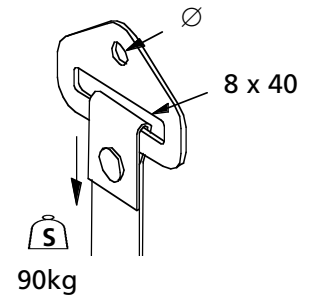
UPC/PART NO.	B-LINE NO.	P-ZINC
--------------	------------	--------

781011 03854	BRH-H7	25
--------------	--------	----



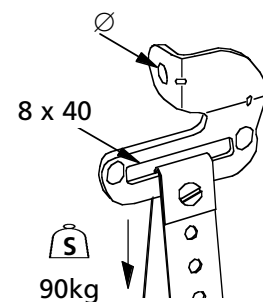
UPC/PART NO.	B-LINE NO.	Ø mm	P-ZINC
--------------	------------	------	--------

781011 03660	BH	7	100
--------------	----	---	-----



UPC/PART NO.	B-LINE NO.	Ø mm	P-ZINC
--------------	------------	------	--------

781011 03661	BRH	7	100
--------------	-----	---	-----



Suspension  
Fixations De Suspension  
Band-/Seil-Befestigungen