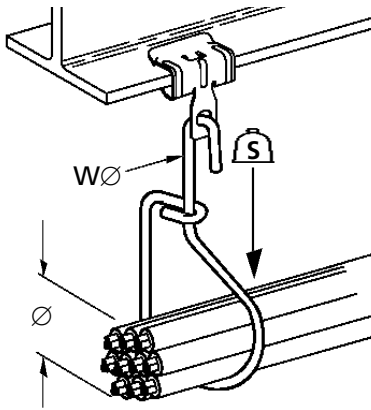
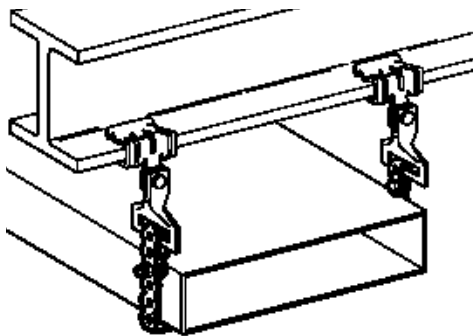
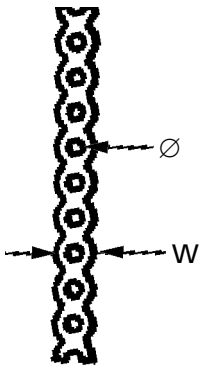


Suspension • Fixations De Suspension • Band-/Seil-Befestigungen



UPC/PART NO.	B-LINE NO.	Ø mm	ØW mm	kg	E-ZINC
781011 04934	BX2	36	2,7	23	100
781011 04448	BX6	50	4	33	100
781011 19766	BX24	91	4	33	100

UPC/PART NO.	B-LINE NO.	W mm	Ø mm	P	
781011 01752	BS-12	12	5	P-ZINC	10m
781011 01753	BS-17	17	7	P-ZINC	10m
781011 01754	BS-26	26	8	P-ZINC	10m
781011 01755	BS-12-B	12	5	PVC-BLACK	10m
781011 01756	BS-17-B	17	7	PVC-BLACK	10m
781011 01757	BS-26-B	26	8	PVC-BLACK	10m
781011 01758	BS-12-O	12	5	PVC-ORANGE	10m
781011 01759	BS-17-O	17	7	PVC-ORANGE	10m
781011 01760	BS-26-O	26	8	PVC-ORANGE	10m
781011 01761	BS-12-R	12	5	PVC-RED	10m
781011 01762	BS-17-R	17	7	PVC-RED	10m
781011 01763	BS-26-R	26	8	PVC-RED	10m



Suspension
 Fixations De Suspension
 Band-/Seil-Befestigungen